

# Measuring instructions for secondary glazing

These measuring instructions will help you get the right measurements for your secondary glazing. These instructions will guide you through the process step-by-step. Choose the installation method that suits your situation the best.

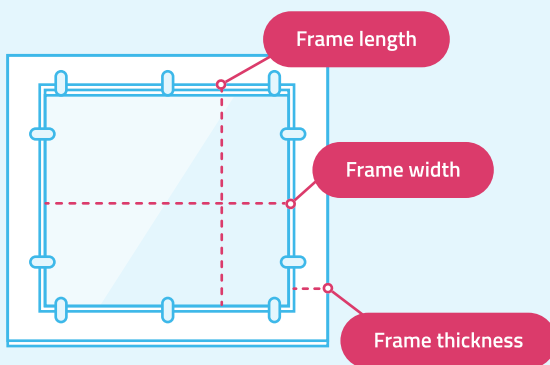
## For measuring, you need the following materials:

- ✓ Ruler
- ✓ Measuring instructions
- ✓ Pen or pencil

### Step 1 Determine the best installation method

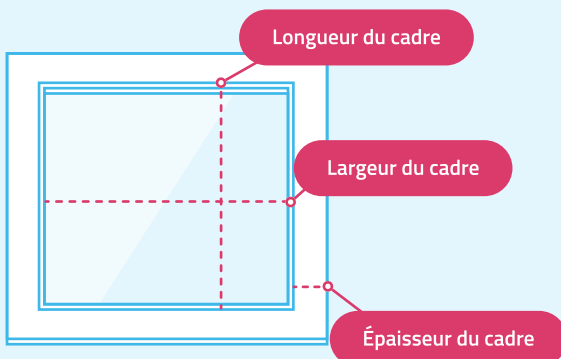
The first step is to determine the best installation method. Each installation method has its own unique advantages. The installation method using glazing clips is the most visually appealing solution. This method is also easy for dismantling the secondary glazing. The Velcro method is a very good alternative, as it does not require drilling into the frame. If you are looking for a permanent secondary glazing solution, or do not want to install it on the outside. Then a fixed installation using screws is a good solution.

Take a look at the requirements for each installation method in the table below.



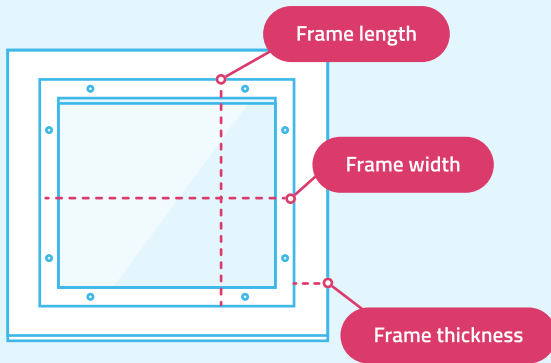
#### Glazing clip-installation

- ✓ Minimum frame thickness 3.5 cm
- ✓ Screwable frame
- ✓ No protruding handles or hinges
- ✓ Maximum length or width of secondary glazing 2 metres



#### Velcro installation

- ✓ Minimum frame thickness 1 cm
- ✓ Flat surface for good adhesion of the Velcro strip
- ✓ No protruding handles or hinges
- ✓ Maximum length or width of secondary glazing 1.5 metres

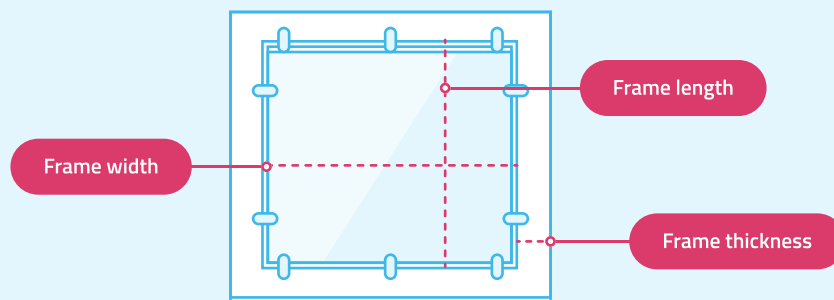


### Fixed-installation

- ✓ Minimum frame thickness 3 cm
- ✓ Screwable frame
- ✓ No protruding handles or hinges
- ✓ Maximum length or width of secondary glazing 3 metres

## Step 2 Measure the frame

In this step, you need to take the measurements of the window frame. Do this by measuring the opening within the window frame. Include the frame width and frame length, as shown in the drawing below. Measure from the inside edge on one side of the frame to the opposite inside edge of the frame. Then enter the measured frame width and frame length in the chosen installation method below. Add the overlap and to see the required order width and order length for the secondary glazing.



### Glazing clip installation

Frame width	Overlap		Order width
<input type="text" value=""/>	+	<input type="text" value="4"/>	= <input type="text" value=""/>
cm		cm	cm

Frame length	Overlap		Order length
<input type="text" value=""/>	+	<input type="text" value="4"/>	= <input type="text" value=""/>
cm		cm	cm

### Velcro installation

$$\begin{array}{l} \text{Frame width} \\ \boxed{\text{cm}} \end{array} + \begin{array}{l} \text{Overlap} \\ \boxed{2 \text{ cm}} \end{array} = \begin{array}{l} \text{Order width} \\ \boxed{\text{cm}} \end{array}$$

$$\begin{array}{l} \text{Frame length} \\ \boxed{\text{cm}} \end{array} + \begin{array}{l} \text{Overlap} \\ \boxed{2 \text{ cm}} \end{array} = \begin{array}{l} \text{Order length} \\ \boxed{\text{cm}} \end{array}$$

### Fixed installation

$$\begin{array}{l} \text{Frame width} \\ \boxed{\text{cm}} \end{array} + \begin{array}{l} \text{Overlap} \\ \boxed{5 \text{ cm}} \end{array} = \begin{array}{l} \text{Order width} \\ \boxed{\text{cm}} \end{array}$$

$$\begin{array}{l} \text{Frame length} \\ \boxed{\text{cm}} \end{array} + \begin{array}{l} \text{Overlap} \\ \boxed{5 \text{ cm}} \end{array} = \begin{array}{l} \text{Order length} \\ \boxed{\text{cm}} \end{array}$$

### Step 3 Determine the quantity of glazing clips, screws or Velcro

Now that you have determined the width and length of the secondary glazing, you need to determine how much Velcro, glazing clips or screws you need for the installation.

#### Velcro

Our Velcro tape is supplied as two-sides of tape; a 5 metre loop side, and a 5 metre hook side. To calculate how many metres of Velcro you need and ensure that you buy enough of it; add 2x the order width and 2x the order length of the front of the window frame. As an example, a 5 metre set of Velcro is enough for a secondary window with a maximum length and width of 1.25 metres.

$$\begin{array}{l} \text{Order width} \\ \boxed{\text{mm}} \end{array} + \begin{array}{l} \text{Order width} \\ \boxed{\text{mm}} \end{array} + \begin{array}{l} \text{Order length} \\ \boxed{\text{mm}} \end{array} + \begin{array}{l} \text{Order length} \\ \boxed{\text{mm}} \end{array} = \begin{array}{l} \text{Velcro} \\ \boxed{\text{mm}} \end{array}$$

#### Glazing clips or screws

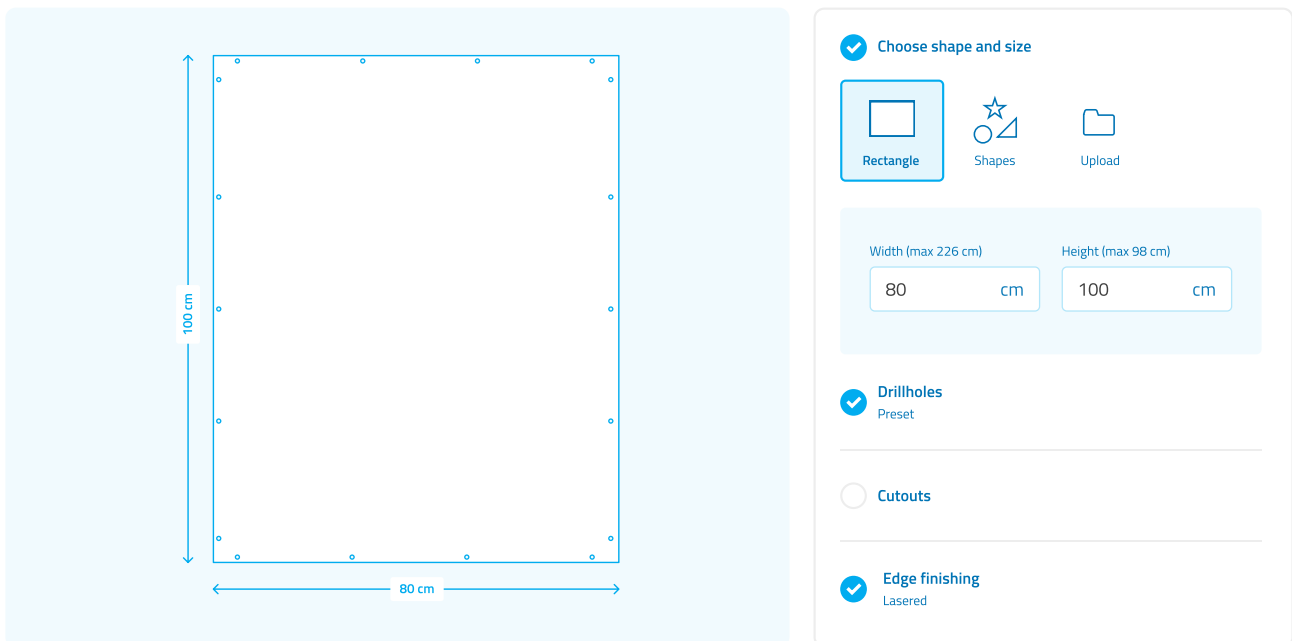
The rule of thumb is that there should be a glazing clip or a screw placed 5 cm from each corner. Then an additional glazing clip or screw every 30 to 40 centimetres. Check the table below to see how many glazing clips or screws you need.

Side in cm	Glazing clips or screws per side
20 - 49 cm	2
50 - 89 cm	3
90 - 129 cm	4
130 - 169 cm	5
170 - 200 cm	6

Add up the number of glazing clips or screws for all four sides. Now you know how many screws or glazing clips you need for your job.

### Drill holes in case of fixed installation

We recommend ordering secondary glazing with the holes pre-drilled by us. These should be 0.5 cm in diameter, placed 1.2 cm from the edge, 5 cm from each corner and 30 cm to the next hole



Choose shape and size

Rectangle

Shapes

Upload

Width (max 226 cm)

cm

Height (max 98 cm)

cm

Drillholes

Preset

Cutouts

Edge finishing

Lasered

Example pre-drilled holes:

[plasticsheetsshop.co.uk/product/secondary-glazing-with-pre-drilled-holes/acrylic/clear/4-mm](https://plasticsheetsshop.co.uk/product/secondary-glazing-with-pre-drilled-holes/acrylic/clear/4-mm)

### Step 4 Order the required materials



So that you can easily order all the necessary materials and accessories you need to install your secondary glazing, we have listed everything at:

[plasticsheetsshop.co.uk/secondary-glazing-accessories/](https://plasticsheetsshop.co.uk/secondary-glazing-accessories/)

## Glazing clip installation



### Secondary glazing acrylic 4 mm

Enter the order width and height via

[plasticsheetsshop.co.uk/secondary-glazing](https://plasticsheetsshop.co.uk/secondary-glazing)



### Glazing clips (4 pieces)

Transparent swivel clips for mounting

[plasticsheetsshop.co.uk/glazing-clips](https://plasticsheetsshop.co.uk/glazing-clips)



### Insulation tape (25 metres)

Also known as Trespa® tape

[plasticsheetsshop.co.uk/insulation-tape](https://plasticsheetsshop.co.uk/insulation-tape)

## Velcro installation



### Secondary glazing acrylic 4 mm

Enter the order width and height

[plasticsheetsshop.co.uk/secondary-glazing](https://plasticsheetsshop.co.uk/secondary-glazing)



### Velcro tape set

This Velcro tape set consists of a rough side the 'hook' and a soft side the 'loop'.

[plasticsheetsshop.co.uk/product/velcro-tape-set/](https://plasticsheetsshop.co.uk/product/velcro-tape-set/)



### Poignée

This handle in acrylic has been specially designed for fitting window seals.

[plasticsheetsshop.co.uk/product/handle-for-window-seals](https://plasticsheetsshop.co.uk/product/handle-for-window-seals)

## Fixed installation



### Secondary glazing acrylic 4 mm with drill holes

Enter order width and height via

[plasticsheetsshop.co.uk/secondary-glazing-with-drill-holes](https://plasticsheetsshop.co.uk/secondary-glazing-with-drill-holes)



### Insulation tape (25 metres)

Also known as Trespa® tape

[plasticsheetsshop.co.uk/insulation-tape](https://plasticsheetsshop.co.uk/insulation-tape)



### Screws white RAL 9010 with nylon washer

25 pieces

[plasticsheetsshop.co.uk/screws-washers](https://plasticsheetsshop.co.uk/screws-washers)



### Torx bit

Size: T20 (each)

[plasticsheetsshop.co.uk/torx](https://plasticsheetsshop.co.uk/torx)

## Also useful



**Antistatic cleaner**  
[plasticsheetsshop.co.uk/antistatic-cleaner](https://plasticsheetsshop.co.uk/antistatic-cleaner)



**Antistatic cloth**  
[plasticsheetsshop.co.uk/antistatic-cloth](https://plasticsheetsshop.co.uk/antistatic-cloth)

## Step 5 Ready for installation

Once your order has arrived, open the step-by-step guide for the installation of secondary glazing via [plasticsheetsshop.co.uk/diy/secondary-glazing](https://plasticsheetsshop.co.uk/diy/secondary-glazing). From here, simply follow the steps for installation.

### Tip:

Also watch our installation video on secondary glazing in the step-by-step guide!